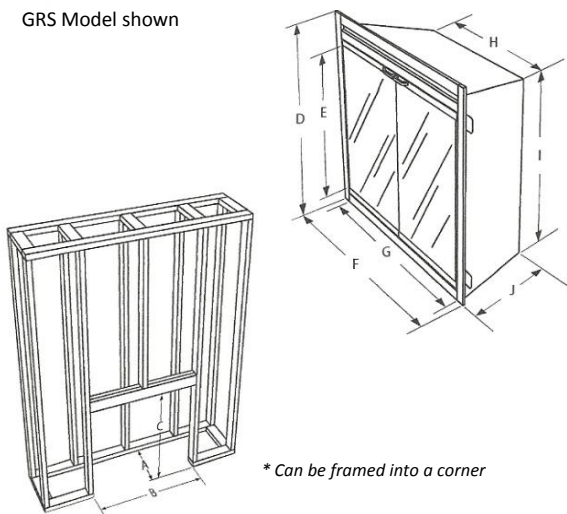




39 inch Builders Box - Classic 39EB500 Series



GRS Model shown



* Can be framed into a corner

FRAMING & PRODUCT DIMENSIONS

A = 16"	B = 37"	C = 32"	D = 32 3/4"	E = 27"
F = 38 3/4"	G = 36"	H = 22"	I = 27 5/8"	J = 15 3/8"

Patented Front Access System for Easy Component Maintenance



EASY-ACCESS™ panel simply unlocks and flips down to expose all components for complete front servicability.

Safety Switches cut the power to the top panel for safe parts replacement without having to

remove the firebox from the wall to un-plug or disconnect the wiring. , or shut-off the breaker at the service panel.

*An LED Indicator on the main PCB illuminates when power is active, and turns off when the power is cut for safe replacement of components

DIMENSIONS	38 13/16 W x 32 3/4 H x 15 3/8 D
GRA SERIES	39EB500GRA Fixed Tempered Glass Panel
GRS SERIES	39EB500GRS Operable Glass Swing Doors w/ Mesh Screen
FLAME STYLE	Traditional
VIEWABLE AREA	36 W x 27 H

WIRING OPTIONS

3-Prong Plug	Hard Wired	Hard Wired
120 volts	120 volts	240 volts
1440 watts	1440 watts	2800 watts
4400 BTU's	4400 BTU's	9500 BTU's
12 amps	12 amps	11.7 amps

On-Screen Function Indicator



- Works from remote control or manual controls
- Function Indicator lights up when operated then automatically disappears after 5 seconds. Shows:
 1. Temperature in Fahrenheit or Celsius numeric readout
 2. Five Flame Brightness settings with "Spectra Fire Flame Effect"
 3. Heater Function activated
 4. Electronic Timer Function: Automatic Shut-Off from 30 minutes up to 9 hours
 5. 3-Stage Down Light setting

Standard Features

- Dual Voltage: 110v or 240v
- * Spectra Fire Flame Effect: *Blue and Red highlight colors added into the Flame Effect with 5 Flame Brightness settings, a Traditional Flame effect, and/or log set illumination with no flames*
- Electronics have a memory: Can be wired to a light switch. When power is re-supplied, unit will return to the last setting selected, including "Heater on".
- Includes Multi-Function Slim-Line Remote
- Brick-Look Detail Interior
- Traditional Log-Set with 2 levels of undulating Ember Bed
- 3-Stage Down Lights: On, Off, or Shadow Effect
- Total Surround Flange - Both Swing Doors and Fixed Panel allow for flush mounting to drywall or other home finishes
- Integrated junction box for hardwire installations



All "LED" Technology

- Provides the most "Realistic Flame Effect" in the industry
- 50,000+ Hours of out-put, equal to 5.7 years of continuous use
- LED's only draw 11.2 watts.

GREEN ATTRIBUTES

- ▶ **100% Energy Efficient:**
Uses all of the input energy to operate the Flame Effect, Heat Output, or both
- ▶ **No Pollutants:**
Carbon Monoxide, Carbon Dioxide, or Mold
- ▶ **No Venting:**
Does not break the building envelope.
- ▶ **All "LED" Technology:**
Uses less energy than any other type of bulb

OPERATING COSTS

- Flame only = Less than 1¢ per hr
- 4400 BTU's = 14.4¢ per hr
- 9500 BTU's = 28¢ per hr

*based on 10¢ per kWh

